



STONE WOOL STORAGE AND HANDLING GUIDE

STORAGE AND HANDLING INSTRUCTIONS FOR STONE WOOL

See NOTES 1–4 at the end of the **STONE WOOL STORAGE AND HANDLING GUIDE**.

PROTECTIVE EQUIPMENT

It is safe to handle PAROC Stonewool products. Coarse stone wool fibers can cause short-term skin irritation if they come into contact with the skin, so protective equipment should be used during installation work. Also ensure that the work area is clean.



Wear protective clothing.



Wear protective gloves.



Wear a respirator when working in an unventilated area.



Wear safety glasses when installing products above your head.



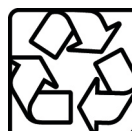
Ensure adequate ventilation of the premises.



Vacuum the work area.



Rinse your hands with cold water before washing them.



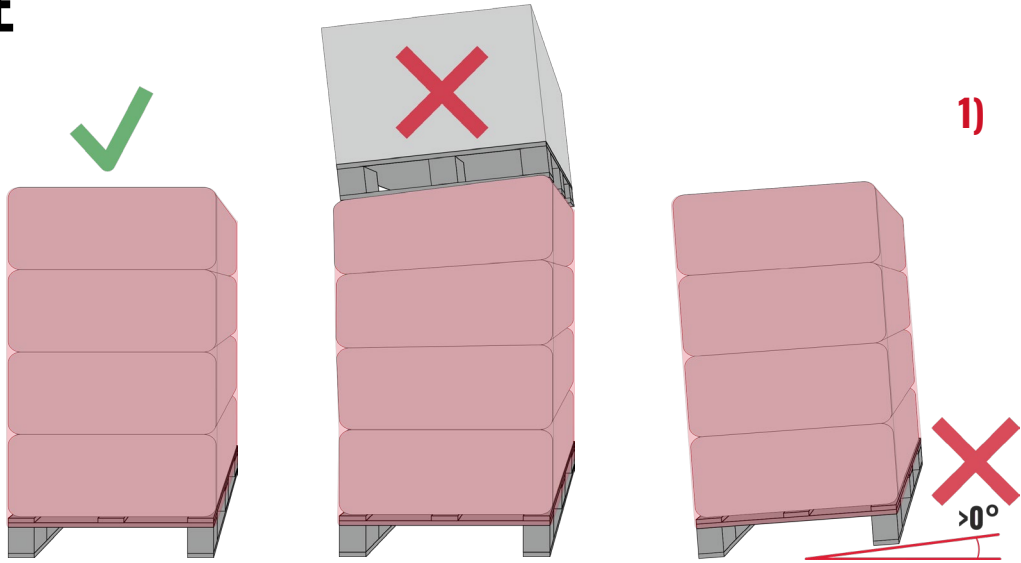
Treat waste according to local guidelines.



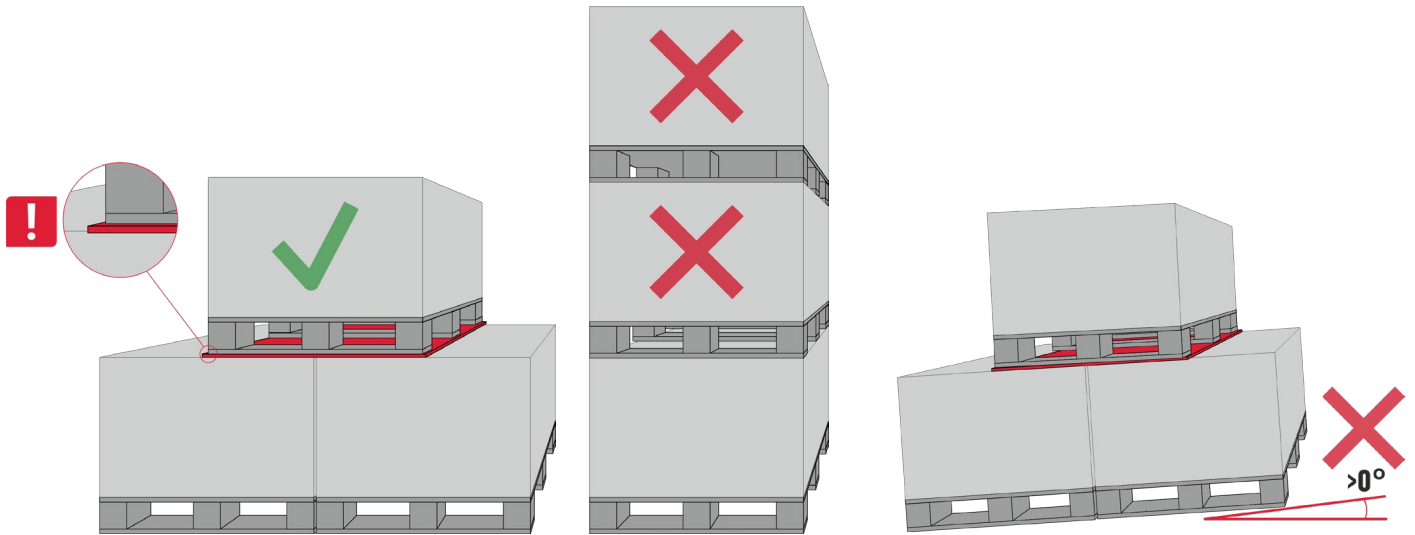
PAROC Stonewool fibers are biosoluble. The EUCEB certificate guarantees that the composition of the fibers meets the solubility requirements of Directive 97/69/EC in accordance with Note Q. To indicate this, the EUCEB logo can be found on the packaging.

STORAGE AND HANDLING INSTRUCTIONS FOR STONE WOOL

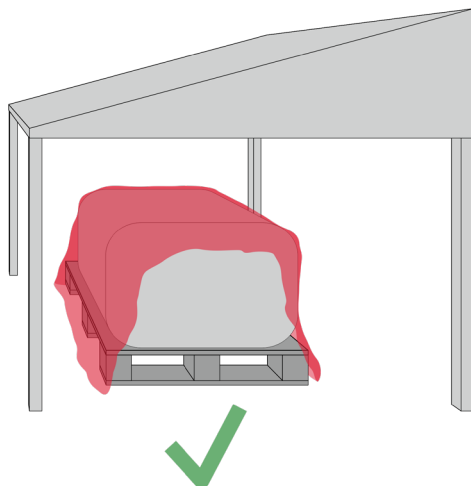
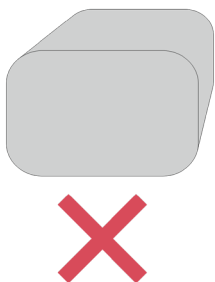
STORAGE



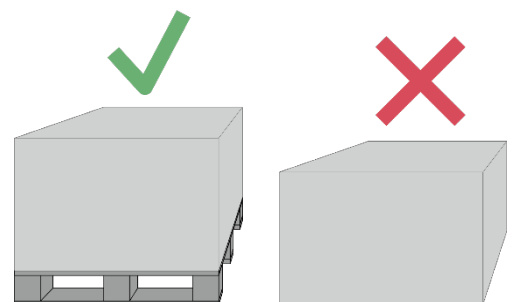
Products $< 80 \text{ kg/m}^3$



Products $> 80 \text{ kg/m}^3$

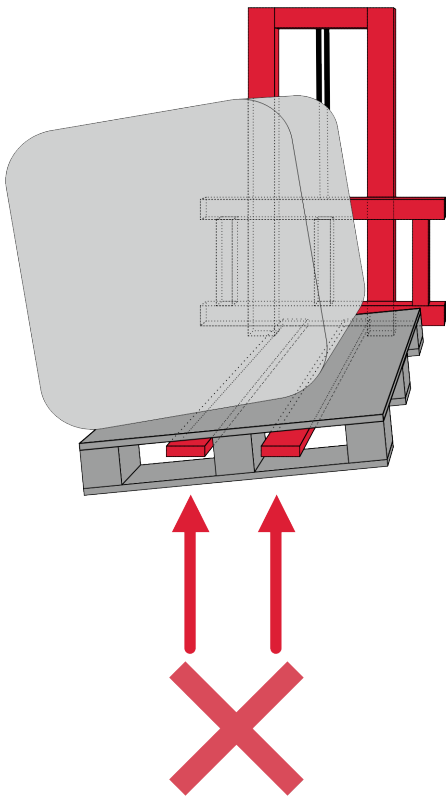
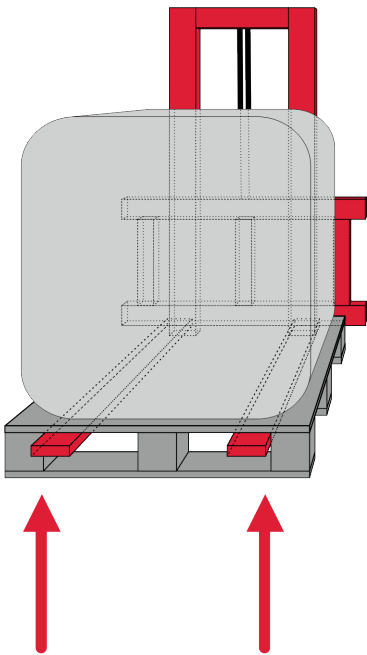
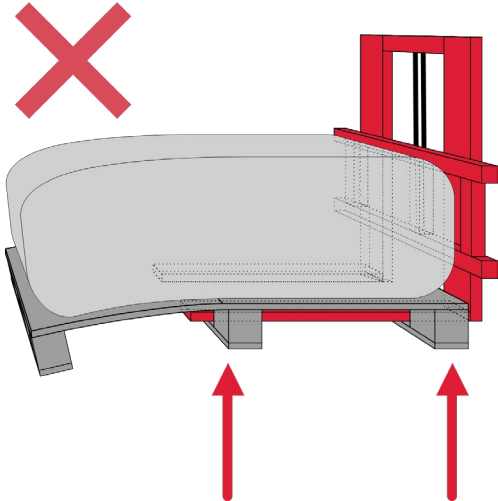
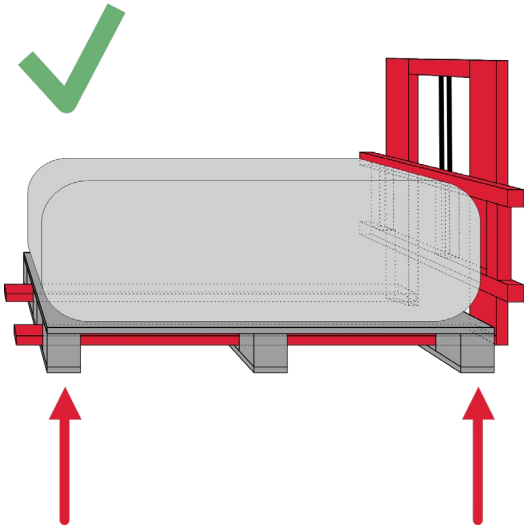


2)

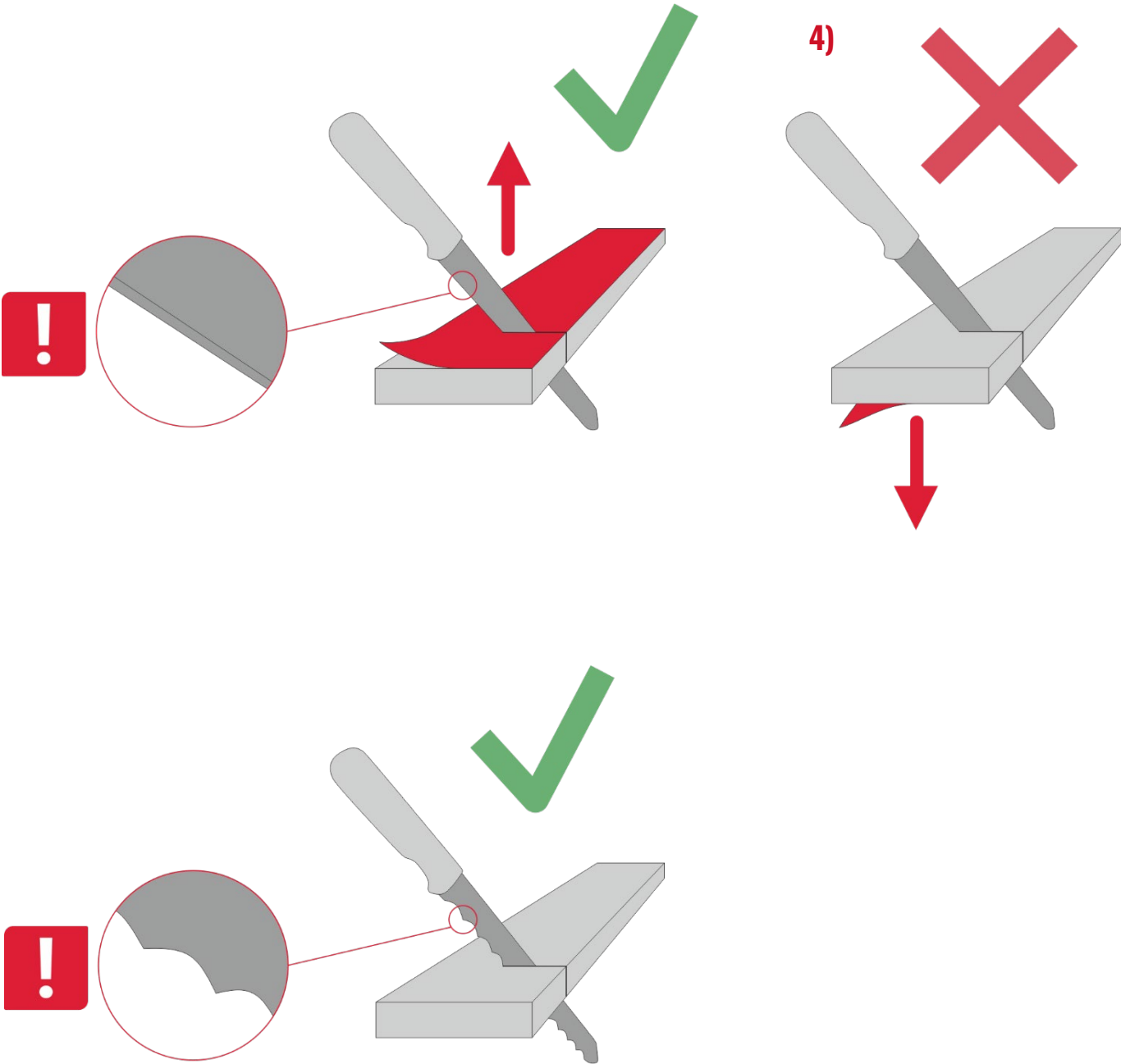


MOVING PALLETS

3)



CUTTING



NOTES

- 1) Pallet stacking
 - a. **Uncoated products:** Uncoated rigid slab insulation (density > 80 kg/m³) delivered on pallets can be stacked in two layers of pallets only. Make sure that stacking takes place on a sufficiently load-bearing flat surface so that the pallets do not fall over. For safety reasons, the top pallet must be placed centrally on top of two lower pallets. We recommend using protective plates between pallets. For safety reasons, pallets containing soft slabs and mat insulation (density < 80 kg/m³) must not be stacked on top of each other.
 - b. **Coated products:** To avoid damaging the coating/covering, avoid stacking pallets containing coated/covered products. If stacking is necessary, use protective plates between pallets. Even then, stacking can only be done on pallets containing slab insulation with a density above 80 kg/m³. For safety reasons, the top pallet must be placed centrally on top of the two lower pallets. Pallets with Cortex coated products should not be stacked on top of each other, to avoid damaging the covering.

- 2) In general, it is recommended that insulation packages be stored indoors if possible. Protect packaging from mechanical damage. Products that are **installed as visible surfaces in ceilings** and products that are **delivered in cardboard boxes should always be stored indoors**.

Outside insulation packages should be protected from rain, splashing water, snow, UV radiation, and mechanical damage. Plastic packaging protects the insulation product during transportation, but the **products require additional protection for long-term outdoor storage**. Opened packages must not be left exposed to the weather.

Prevent soil moisture from moving into packages by raising them off the ground. Moisture evaporating from the ground can enter the packages from under the pallets, so it is best to store the pallets on asphalt or another compact, flat, load-bearing surface with the packages off the ground.

For lightweight, compressed insulation materials, minimize their storage time (recommendation <6 months) to maintain their elasticity. Insulation stored for a long time under compression may require a longer period of time to recover.

Handle packaging carefully to avoid damage to the edges and corners of the products during storage and installation. Do not install products that are defective or have been severely damaged during processing.

Do not install damp insulation. If the insulation is briefly exposed to moisture, open the package, dry the boards indoors (usually 1–2 days at room temperature), and make sure that the insulation is dry and clean before installation. If the insulation gets wet during installation, do not cover/close the structure until it is dry.

- 3) The center of gravity of tall pallet packages is high, which means that they are at greater risk of falling over than heavy and low pallet packages.

When lifting pallets, use wide lifting device spikes to increase the stability of the pallet package in the lifting situation. The spikes of the lifting device must reach under all the lower boards of the wooden pallet. Pay special attention to this when lifting the pallet from the end direction.

Take special care when lifting pallets in winter, as light loads easily slip from the spikes of the lifting device if there is ice on the bottom of the pallet or on the spikes of the lifting device.

- 4) PAROC Stonewool is easy to cut and process. Use a wide-bladed wool knife to work with stone wool. For cutting covered slabs, we recommend using a wool knife with fine teeth. Always cut the covered products from the covered side so that the covering remains attached.

This installation guide is owned by Paroc Group OY ("Paroc").

It was developed by the Technical Team and Sales Team of Paroc solely for use by professional users who are authorized to view its contents. Paroc's Technical Team and Sales Team present the information in the installation guide for mere indicative purposes. While the information therein concerns a technical application of certain Paroc products, it is in no event to be considered as technical advice.

Although we believe the information in this presentation to be accurate, Paroc does not make any warranty or guarantee concerning the accuracy or reliability of its content. When technical matters are discussed, the opinions presented are those of the discussants only.

The material discussed in the installation guide is not intended to present the only or necessarily the best method or procedure. This installation guide is provided in an "as is" format without warranties of any kind, expressed or implied, including but not limited to warranties of title, non-infringement or implied warranties of merchantability or fitness for a particular purpose.

Users of the provided information that is presented in the installation guide assume full responsibility for all concept/design decisions made relating to the suitability of use. Users must rely on their own judgment or that of a concept/design professional when determining how to best apply the data provided. Users agree that Paroc is under no obligation to provide additional details, testing or test data on its behalf.