



MINIMUM
INSTALLATION
TEMPERATURE:
10 °C

INSTALLATION MANUAL

PAROC® PRO SECTION WR 140 CLAD T
PAROC® PRO COMBI WR 140 CLAD T



TABLE OF CONTENTS

Installation instructions 3

Contact us 7

(WR) = water-repellent version available

TOOLS / ACCESORIES



- A marker



- Measuring tape or folding ruler

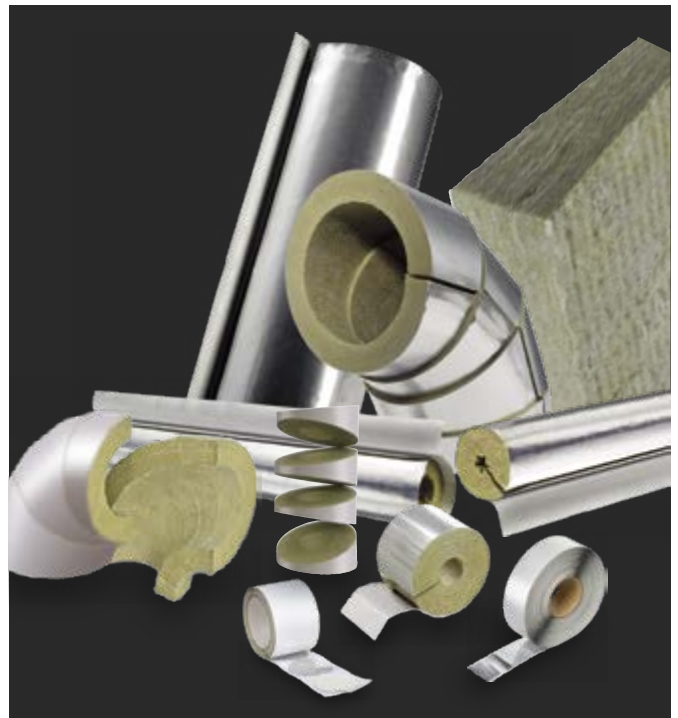


- **PAROC Clad Tape/ PAROC Clad Alu Tape:**
To seal off joints.
Standard widths: 30, 50, 75 and 100 mm



- Insulation material knife, e.g., the **PAROC Pro Knife XTK003**

Quick access:
Click on the desired product or content page to immediately navigate to it. Clicking on 'Table of Contents' will direct you back to the index page. Hyperlinks will take you to relevant additional pages or research sources.



- Plastic spatula: for smoothing the tape to improve appearance



- **PAROC Pallet Hoods**

INSTALLATION INSTRUCTIONS



1. Place the casings one by one on the pipe and use the self-adhesive tape on the pipe casing to affix the casings.



2. Mount pipe sections for bends in the same way.



3. In order to effect a durable mechanical fixation of the pipe casing as prescribed by DN100, use additional SIGNODE strips or an alternative **weatherproof plastic strip**.

Up to DN100, fixation can be by the TapeLock method, which involves overlapping PAROC cladding tape.



4. For permanent **waterproofing**, apply PAROC Clad Tape or PAROC Clad Alu Tape to all **connecting joints** and **lengthwise seams**.



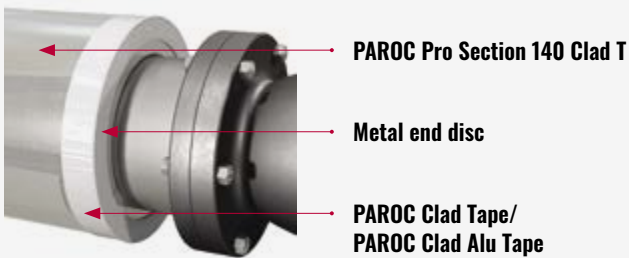
- 5.** All connecting parts (T-joints, forks, brackets etc.) must also be sealed with PAROC cladding tape. Air inclusions under the PAROC Clad Tape/PAROC Clad Alu Tape should be avoided.



- 6.** You have two options for closing off the end sections of pipe casings:

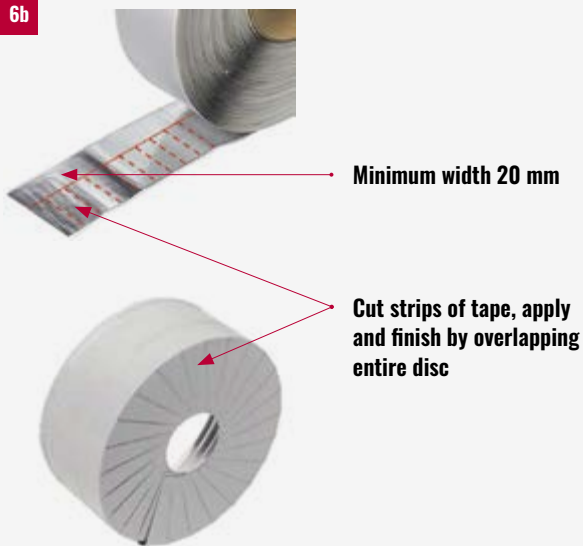
- 6a.** Classic metal end disc in combination with sealing with PAROC Clad Tape

6a



- 6b.** Finish with PAROC Clad Tape/PAROC Clad Alu Tape:

6b



Note: To ensure additional adhesion of the Clad Tape/Clad Alu Tape to the insulation (facing side), it is a good idea to spray a typical adhesive on the surface.

Important note: All information and technical data rely on results obtained under typical conditions of use.

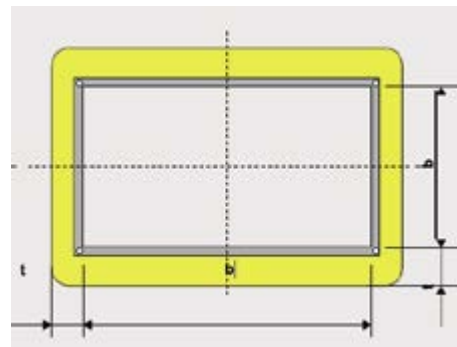
The recipient of this information is, in his own interest, responsible for clarifying with Paroc whether the information and data are applicable to the areas of use foreseen.



7. You have two options for implementing caps:

7a Closing using a standard metal cap – (recommended). As usual, finish the covers to DIN 4140 and spread insulation over them. Apply edge protection tape at intersections of the plate casing in order to prevent damage to the cladding surface of the pipe casing. Seal the cap in accordance with the standard. A permanently waterproof seal is recommended, or PAROC Pro Clad Tape.

7b Finishing with PAROC Pro Lamella Clad: For this, assess the extent of the cap and cut accordingly.



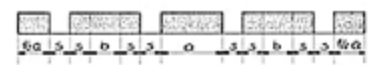
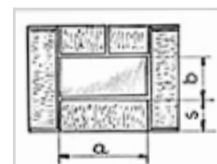
Use the following formula to calculate the material required:

$$U = 2 \times a + 2 \times b + 8 \times t$$

a - Height of cap

b - With of cap

t - Thickness of insulation



Then create joints in the width of the insulation, so that when mounting at 90 degrees, a clean edge is achieved.



Add suitable PAROC Pro Lamella Mat cladding covers to the caps to thus created. Using cladding tape (as described above) seal these at the end disc. For additional mechanical securing, the faces can be bound to the cover using PAROC Fire Springs.

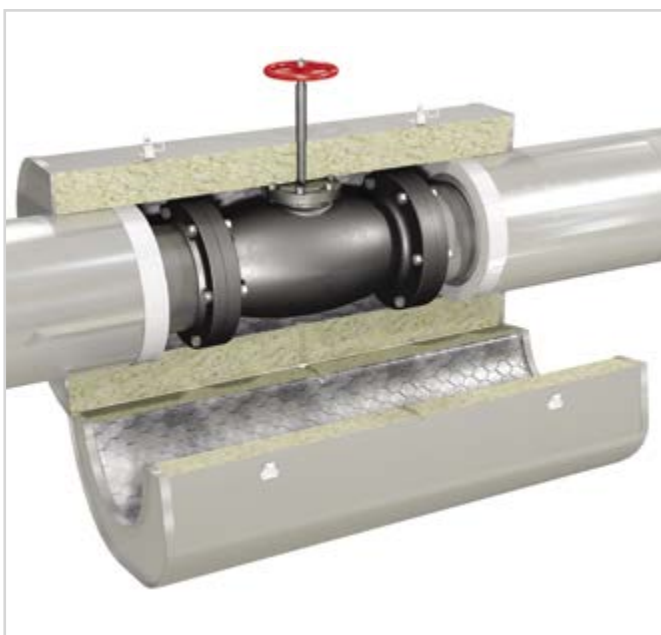




TABLE OF CONTENTS

INSTALLATION INSTRUCTIONS

CLAD PRODUCTS

CONTACT

CONTACT



TABLE OF CONTENTS

INSTALLATION INSTRUCTIONS

CLAD PRODUCTS

CONTACT

PAROC SALES OFFICES AND CONTACTS

Headquarter / Finland

Paroc Group Oy / Paroc Oy Ab
P.O. Box 240
FI-00181 Helsinki, Finland
Energiakuja 3
Phone: +358 46 876 8000
Email: [Contact us in Finland](#)



Belgium / The Netherlands / France

Email: [Contact us in Belgium French](#)
Email: [Contact us in Belgium Dutch](#)
Email: [Contact us in Netherlands](#)
Email: [Contact us in France](#)



Denmark

Paroc Danmark Filial af PAROC AB
Helsingør Erhvervspark A/S
H P Christensensvej 1
DK-3000 Helsingør
Tel. +45 49 12 10 00
Email: [Contact us in Denmark](#)



Estonia

AS Paroc
Pärnu mnt 158
EE-11317 Tallinn, Estonia
Tel. +372 651 8100
Email: [Contact us in Estonia](#)



Germany / Switzerland / Austria

Paroc GmbH
Heidenkampsweg 51
D-20097 Hamburg, Germany
Tel. +49 40 33 49 60000
Email: [Contact us in DACH area](#)



Latvia

SIA Paroc
Vienības gatve 109
Rīga, LV-1058, Latvia
Tel. +371 7 339053
Email: [Contact us in Latvia](#)



INTERNATIONAL CONTACTS

Business Director Industry

Peter van Zandbergen

peter.van.zandbergen@owenscorning.com

Segment Manager Industry

Rune Hagensen

rune.hagensen@owenscorning.com

Technical Support

Craig Treanor

craig.treanor@owenscorning.com

Lithuania

UAB Paroc
Savanoriu 124
03153 Vilnius, Lithuania
Tel. +370 5 2740 000
Email: [Contact us in Lithuania](#)



Norway

Paroc AB Norge
Rosenholmveien 25
NO-1414 Trollåsen, Norway
Tel. +47 22 64 59 00 / 01
Email: [Contact us in Norway](#)



Poland

Paroc Polska sp. z o.o.
ul. Gnieźnieńska 4
62-240 Trzemeszno, Poland
Tel. +48 61 468 21 90
Email: [Contact us in Poland](#)



Sweden

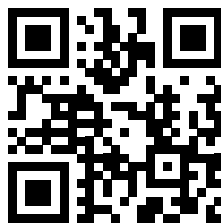
Paroc AB
SE-541 86 Skövde, Sweden
Visiting address: Bruksgatan 2
Tel. +46 500 469 000
Email: [Contact us in Sweden](#)



The United Kingdom / Ireland

Owens Corning Insulation (UK) Ltd
31-35 Kirkby Street
London EC1N 8TE
The United Kingdom
Email: [Contact us in UK & Ireland](#)





Disclaimer

The information relating to the products and systems contained in this communication ("Information") is accurate and reliable to the best of our knowledge as of its date issued and is subject to change without prior notice. No guarantee of accuracy is given or implied.

Since Paroc has no control over installation workmanship, accessory materials or conditions of application, no express or implied warranty of any kind, including those of merchantability or fitness for a particular purpose or course of performance or usage of trade, is made as to the performance of an installation containing Paroc products.

While the Information in this communication may relate to the technical application of certain Paroc products, it is in no event to be considered as technical advice on the basis of which Paroc may incur any liability.

User is solely responsible for determining whether a Paroc product is fit for a particular purpose and suitable for user's method of use or application.

Users of the provided Information assume full responsibility for all concept/design decisions made relating to the suitability of use.

Users must rely on their own judgment or that of a concept/design professional when determining how to best apply the data provided.

Users agree that Paroc is under no obligation to provide additional details, testing or test data on its behalf.

Liability of Paroc, if any, is strictly limited to replacement of product. In no event shall Paroc be liable for any other damages arising because of product failure, whether incidental, special, consequential or punitive, regardless of the theory of liability upon which any such damages are claimed.

Applications: September 2024

1248TIEN0924

© Paroc 2023